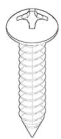


INCLUDED HARDWARE PACKAGE



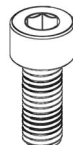
1" Wood Screw (4)



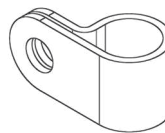
1/2" Wood Screw (5)



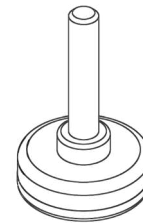
Flat Head Cap Screw (4)



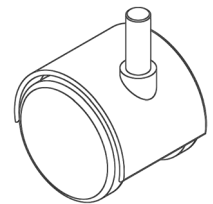
Socket Head Cap Screw (4)



Boden Cord Clip (1)

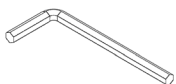


Glides (4)

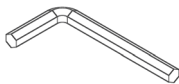


OPTIONAL
 Castors (4)

INCLUDED TOOLS

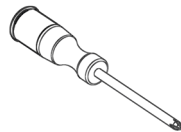


m6
 Allen Wrench

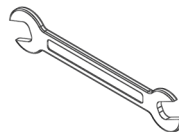


m8
 Allen Wrench

TOOLS NOT INCLUDED



#2 Phillips Head
 Screwdriver

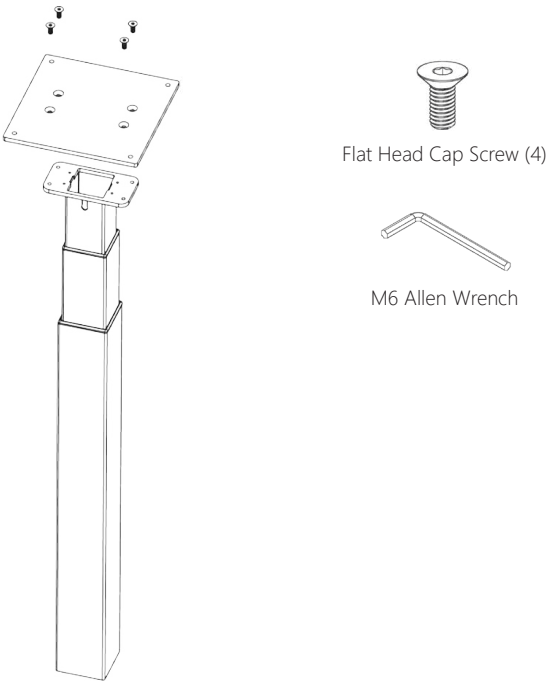


1/2" and 5/16"
 Wrenches

PLEASE REVIEW these instructions completely and verify all parts are included in this package before beginning assembly. Do not discard the packaging until satisfied that the product operates properly. Assembly and operation of this desk must be in accordance with these assembly instructions to avoid the risk of injury. Keep these Assembly and Operation Instructions near the assembly for reference.

"Note" Ideal weight capacity range for the Andern desk is 5-25lbs with a standard 250N spring. The table support is solely intended to serve the purpose of ergonomic adjustments for your desk in accordance with the weights and measurements given in these instructions. Any usage other than that mentioned in this document is inappropriate; the manufacturer disclaims liability for any resulting damages. In such cases the user bears the full risk. The manufacturer cannot be held responsible for any losses or damages resulting from unauthorized modifications of this desk.

1



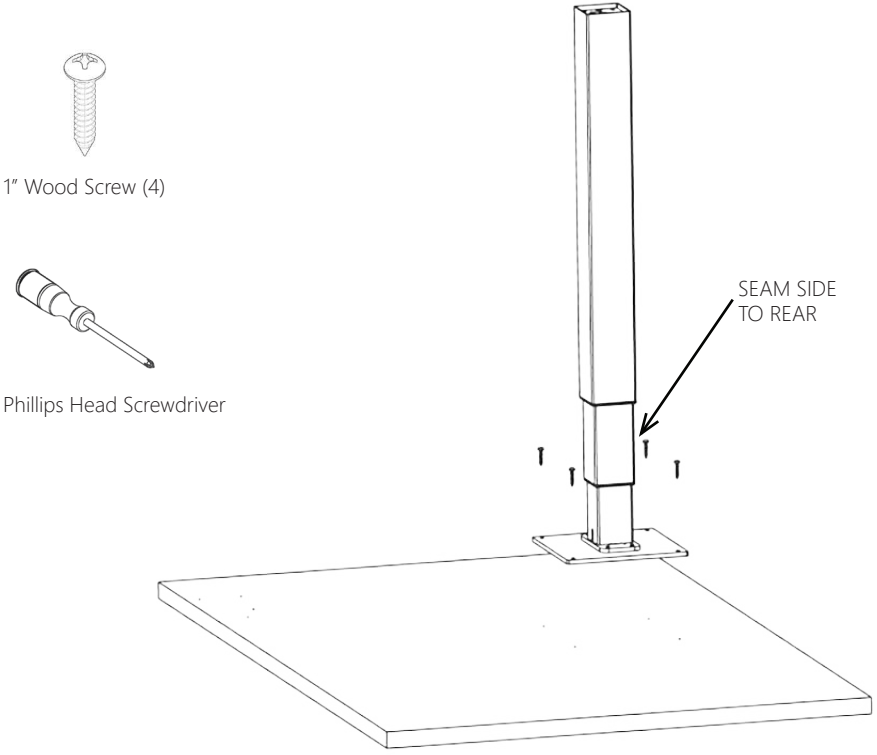
Flat Head Cap Screw (4)

M6 Allen Wrench

- Remove traveling screw from column.
- Attach the top plate to the column flat head cap screws and the M6 allen wrench.

NOTE: Make sure spacer plate is between column flange and top plate.

2

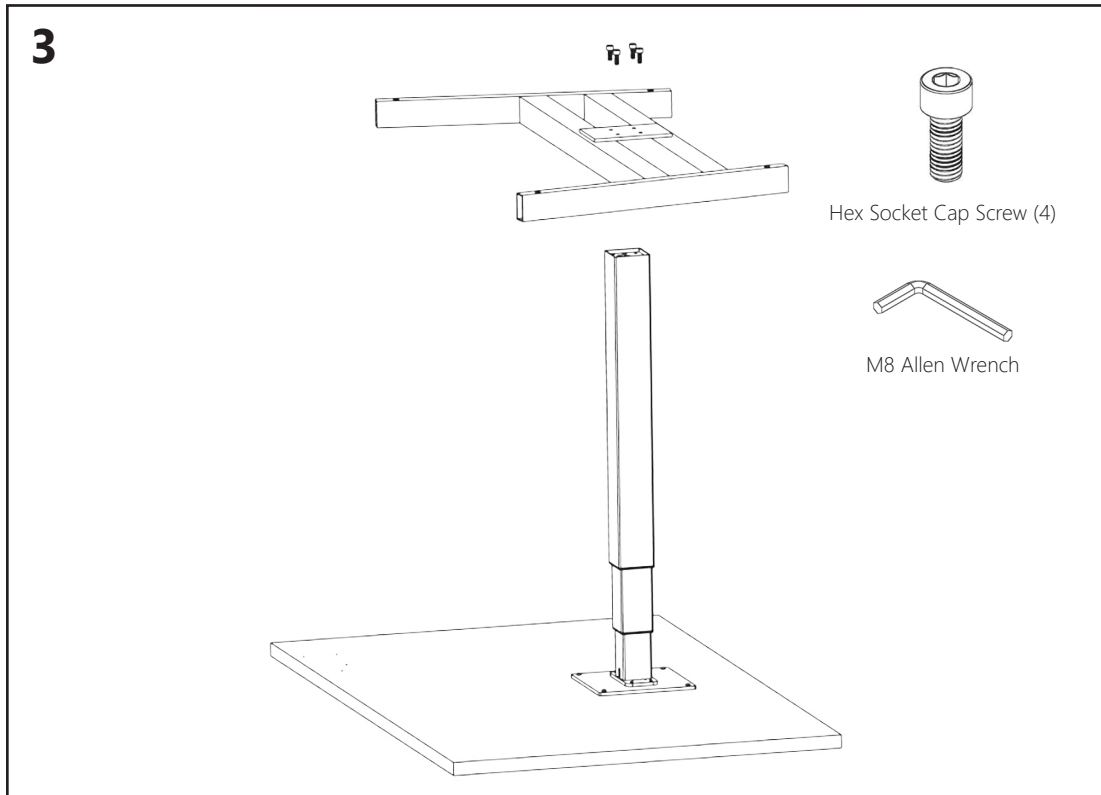


1" Wood Screw (4)

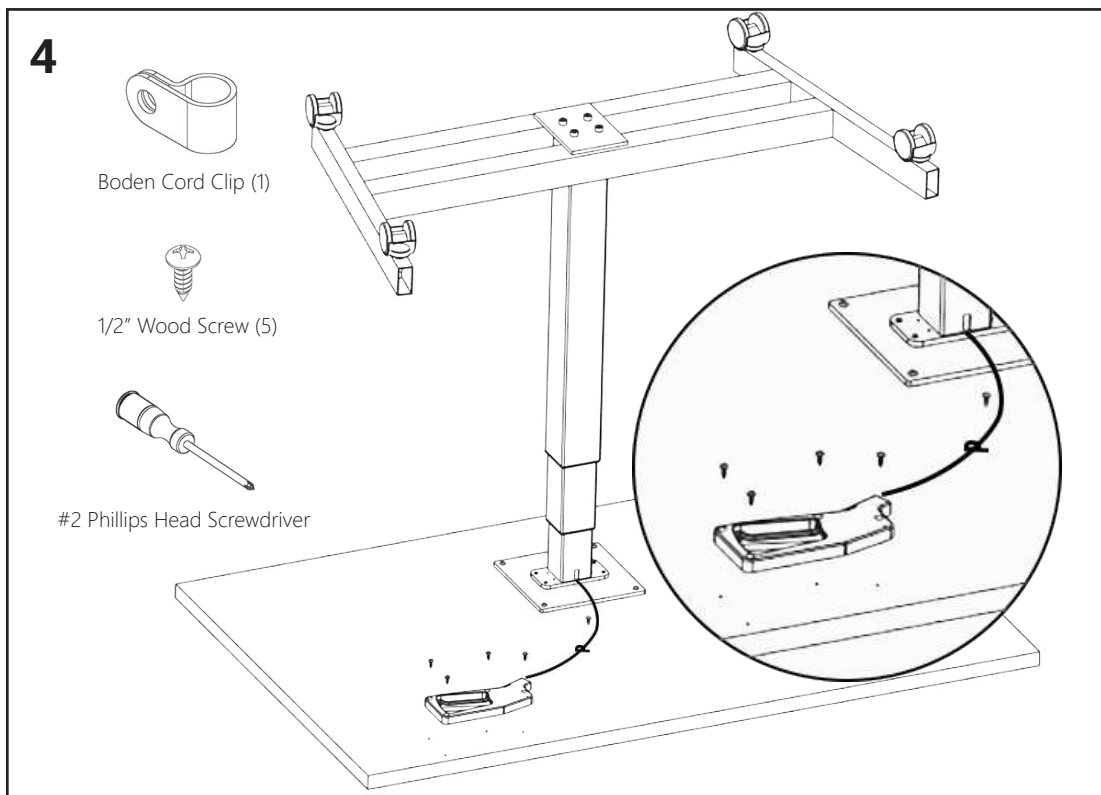
#2 Phillips Head Screwdriver

SEAM SIDE TO REAR

- Flip over the column and top plate and align the holes on the top plate with the pilot holes on the worksurface.
- Attach the top plate to the worksurface with the 1" wood screws and Phillips head screwdriver.



- Slip the base over both the columns and attach the base with the socket head cap screw and the M8 allen wrench.



- Attach the handle to the worksurface with the 1/2" wood screws and a phillips head screwdriver. Slip the Boden cord clip over the Boden cord and secure with the last 1/2" wood screw to the remaining pilot hole.

5

Glides (4)

OPTIONAL
Castors (4)

1/2" Wrench

- Twist in the glides or the (optional) castors into the holes on the bottom of the base.
- If not secure enough, tighten with 1/2" wrench.

OPERATING INSTRUCTIONS

To adjust the height of the table, squeeze the release handle and allow table to move up or push down on table top to lower. To cause more or less tension when lifting and lowering the table, use a 5/16" wrench to tighten or loosen the adjustment barrel attached to the end of the handle.

CAUTION: Brace the top with free hand when moving the table up and down to control movement.

For proper cleaning instructions go to TheStandingDesk.com/clean

Adjustment Barrel

5/16" Wrench