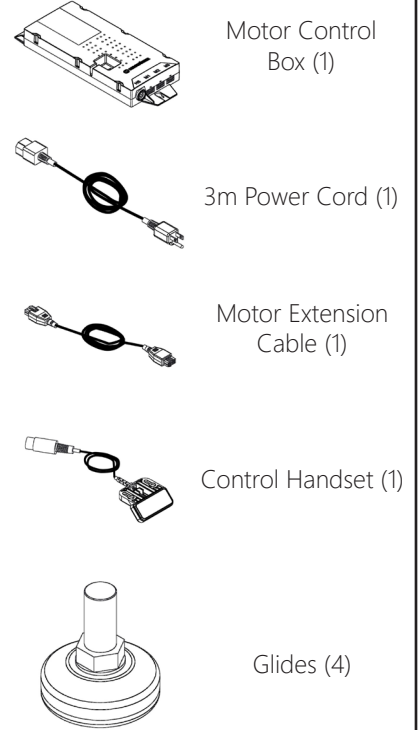
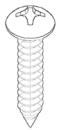


INCLUDED CORDS AND COMPONENTS



INCLUDED HARDWARE PACKAGE



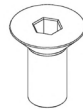
1" Wood Screw (4)



1/2" Wood Screw (7)



9/16" Wood Screw (3)



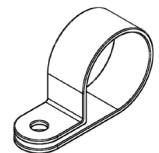
Flat Head Cap Screw (4)



Socket Head Cap Screw (4)

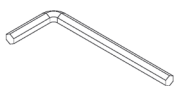


5/16" Cable Clip (3)

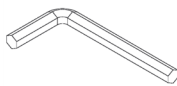


7/8" Cable Clips (2)

INCLUDED TOOLS

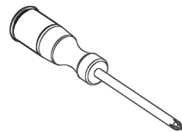


m5 Allen Wrench

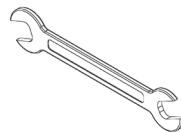


m6 Allen Wrench

REQUIRED TOOLS



#2 Phillips Head Screwdriver



1/2" Wrench

PLEASE REVIEW these instructions completely and verify all parts are included in this package before beginning assembly. Do not discard the packaging until satisfied that the product operates properly. Assembly and operation of this desk must be in accordance with these assembly instructions to avoid the risk of injury. Keep these Assembly and Operation Instructions near the assembly for reference.

NOTE: Maximum lift capacity for the Ändern Motor desk is 175 lbs. The table support is solely intended to serve the purpose of ergonomic adjustments for your desk in accordance with the weights and measurements given in these instructions. Any usage other than that mentioned in this document is inappropriate; the manufacturer disclaims liability for any resulting damages. In such cases the user bears the full risk. The manufacturer cannot be held responsible for any losses or damages resulting from unauthorized modifications of this desk.



SCAN FOR ASSEMBLY VIDEOS

Thank you for choosing The Ändern Motor, a high-performance single column lift base with electric adjustment. It has been manufactured with care and precision and it has passed numerous quality and safety checks to ensure trouble-free and safe operation. You can be assured of lasting satisfaction with your Ändern Motor model.

Important Safety Information:

1. Assembly and operation of The Ändern Motor must be done in accordance with these assembly and operating instructions - otherwise there is a risk of injury.
2. The Ändern Motor is solely intended to serve as an ergonomic adjustment device for desks in accordance with the weights and measurements given in these assembly instructions. Any usage other than that mentioned in these instructions is inappropriate; the manufacturer disclaims liability for any resulting damages. In such cases the user assumes responsibility for all risk.
3. Please also take into account the general, legal and other regulations and legal provisions that are applicable - including those that apply in the operator`s state - as well as the applicable environmental protection regulations. The regulations of trade associations or other supervisory authorities that are in force locally must always be observed.
4. The manufacturer cannot be held responsible for any losses or damage resulting from unauthorized modifications to The Ändern Motor.
5. Keep the assembly and operating instructions near the device.
6. Never leave children unattended with this table base. Cleaning and user maintenance shall not be made by children without supervision.
7. To avoid any danger of pinching it is necessary to keep a minimum distance of 1" from the moving parts.
8. The assembly site should be dry, dust-free and without direct sunlight. Make sure that no liquid enters the column unit or power supply as this could cause electrical shock or short circuit.
9. The duty cycle of the system is set to 2 minutes "ON" and 18 minutes "OFF" or 0.5 minutes "ON" and 9 minutes "OFF". Power cables must not be pinched, bent, stretched or mechanically stressed.
10. Load limits must not be exceeded.
11. Never open the housing of the power supply. Danger to the user can arise and the warranty will be voided as a result of unauthorized opening of the housing and improper repairs. Only the manufacturer`s service technicians are authorized to open or repair the electrical equipment.
12. In the event of a malfunction for example smoke, odors, unusual noises, or visible external damage, unplug the system and call Customer Service.

With compliance to the provided guidelines, you will enjoy many years of satisfaction from your Ändern Motor. For any further inquiries please do not hesitate to contact us.



Please pay attention to these assembly and operating instruction to avoid a risk of injury!



Lifting capacity: maximum lift capacity of 175 lbs including ANY components above the top frame (table top, desk top, accessories, etc.) Alteration of the system in any form is not permitted.

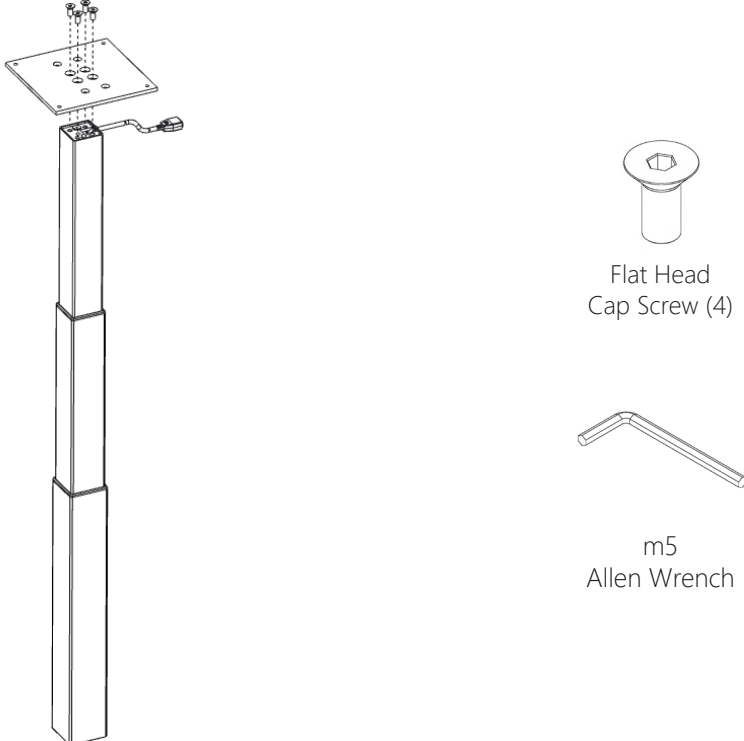
Cleaning recommendations for powder-coated surfaces

For optimal care and cleaning of powder-coated surfaces the recommendations below should be followed:

- Use only a soft cloth or industrial cotton wool. Refrain from rubbing hard.
- Surface and cleaning agent temperatures <25°C. (Do not steam clean surface.)
- Clean stains with a damp soft cloth. Use cold or lukewarm water. Small amounts of neutral or alkaline detergent additives may be used if necessary.
- Do not apply detergent for extended periods of time. If necessary repeat cleaning process after 24 hours. Wipe with cold water immediately after cleaning. (Use a damp (not wet) cloth.)
- Do not use scratching or abrasive agents.
- Do not use acidic or strongly alkaline detergents.
- Do not use organic solvents which contain ester, ketone, alcohols, aromatic compounds, glycol ether, halogenated hydrocarbons or similar substances.

NOTE: Do not lubricate or use silicone products on the dry guides in the guide columns to avoid squeaking of the guide columns.

1



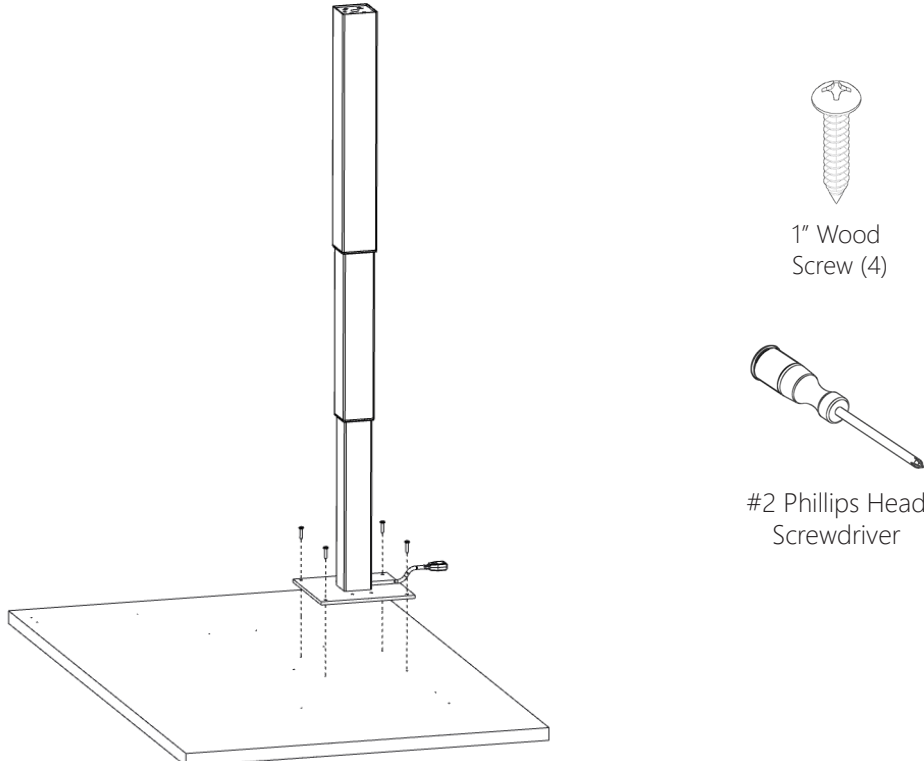
Flat Head Cap Screw (4)

m5 Allen Wrench

⚠ ATTENTION: Do not plug table into electrical outlet until all steps are completed and directions state to.

- Attach the top plate to the column Flat Head Cap Screws and the m5 Allen Wrench.

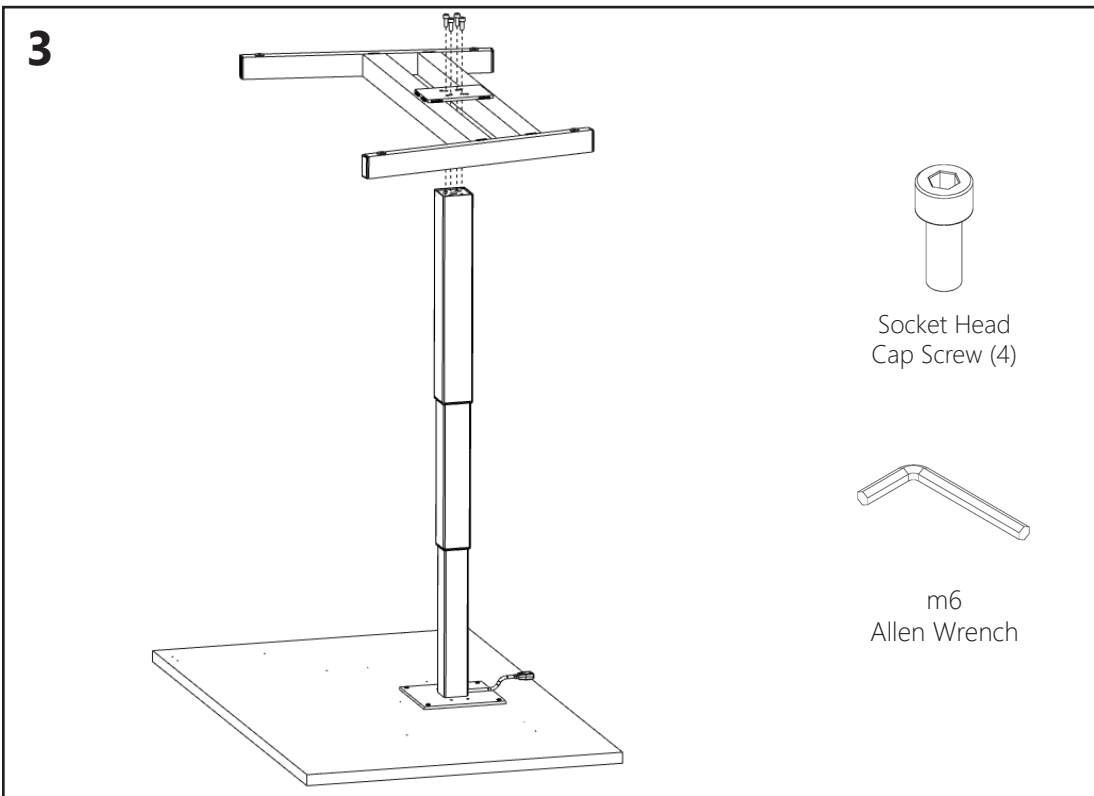
2



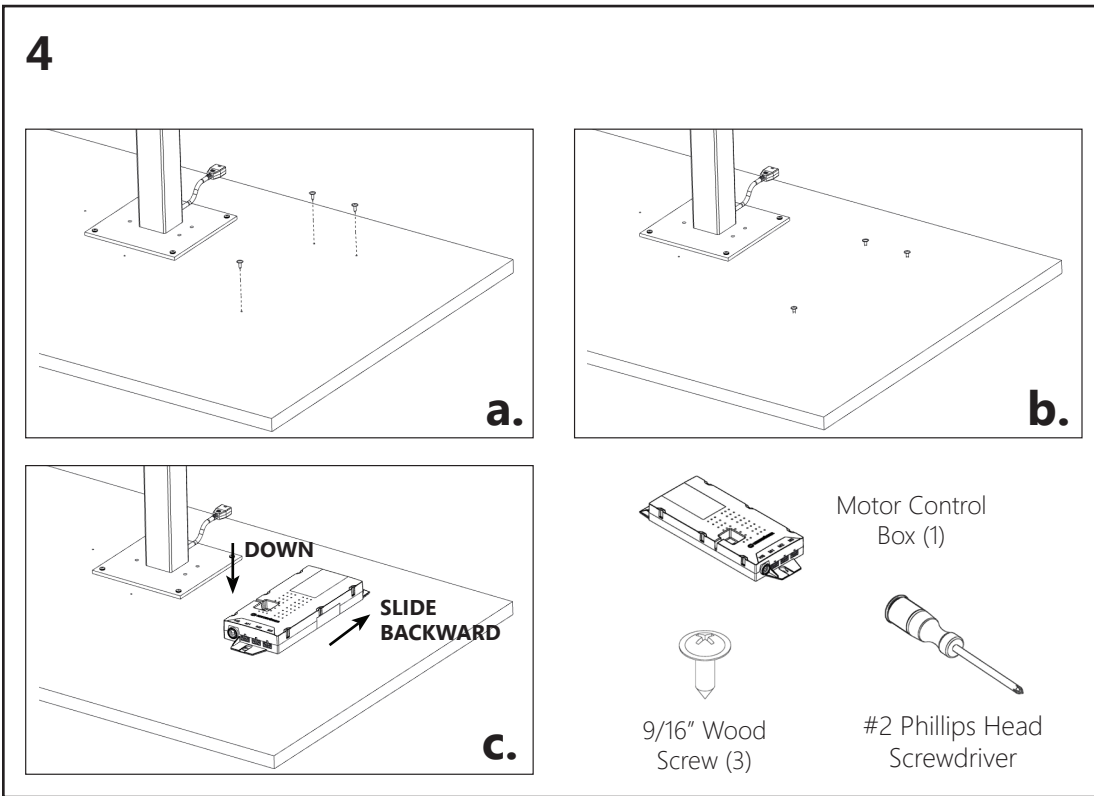
1" Wood Screw (4)

#2 Phillips Head Screwdriver

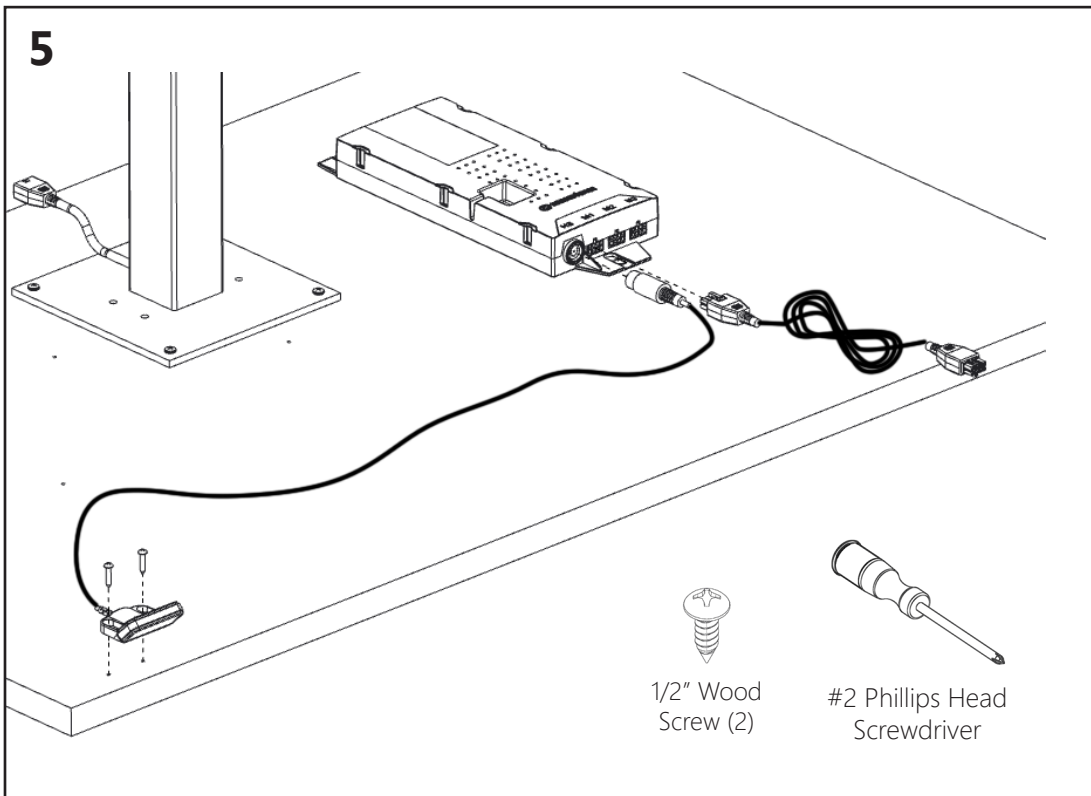
- Flip over the column and top plate and align the holes on the top plate with the pilot holes on the work surface.
- Attach the top plate to the work surface with the 1" Wood Screws and Phillips Head Screwdriver.



- Slip the base over the column and attach the base with the Socket Head Cap Screw and the m6 Allen Wrench.

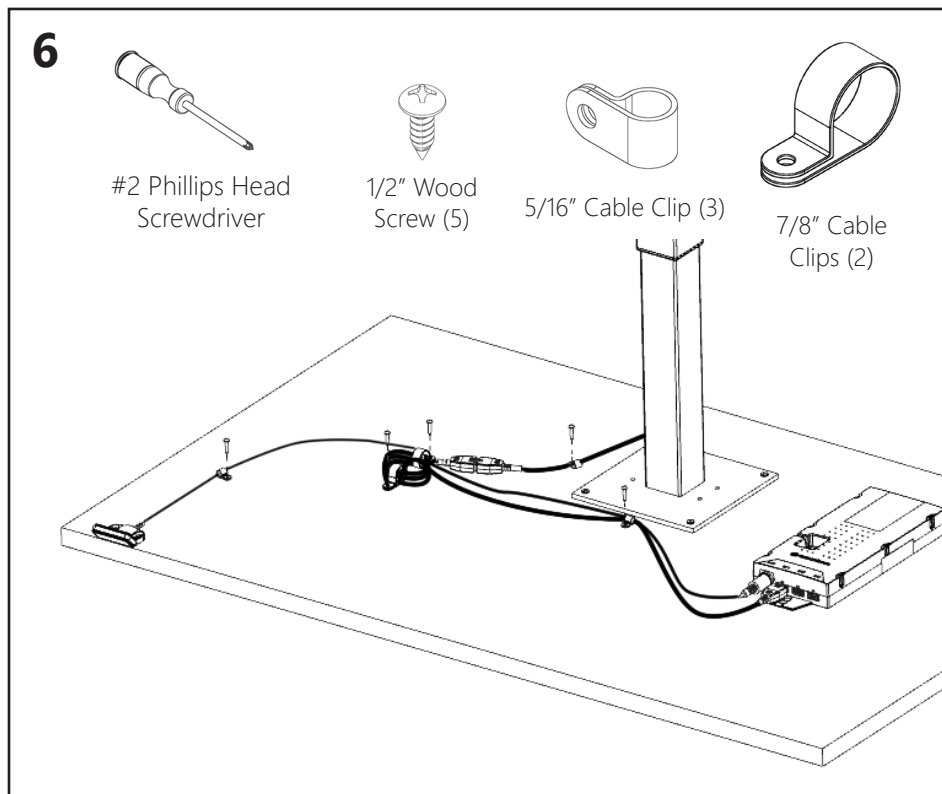


- Align 9/16" Wood Screws.
- Screw half way into the work surface.
- Lower the Control Box over the Screws and slide the control box backward allowing the Screws to seat in the channels. Tighten the three Screws using the #2 Phillips Screw Driver.



NOTE: Motor Cable MUST be plugged into Motor Group 1 (M1) on Control Box.

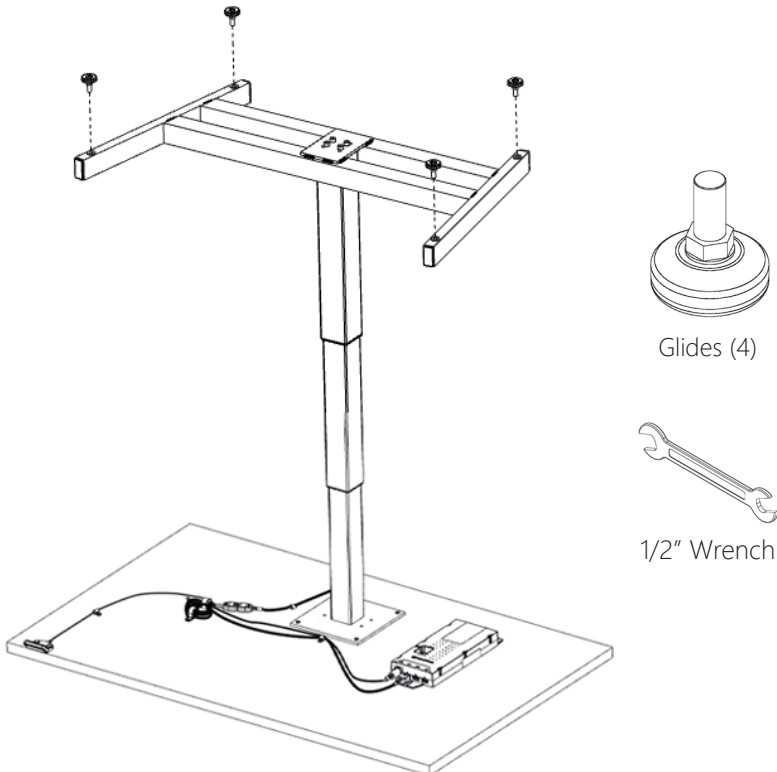
- Attach the handset to the worksurface with the 1/2" Wood Screws and a Phillips Head Screwdriver. **(SEE REFERENCE GUIDE ON p. 8)**
- Plug the Handset Cable and Motor Cable into the Control Box.



NOTE: Cable Clip positions are USER DEFINED.

- Run the Handset & Motor Cables together and coil them.
- Using the 1/2" Wood Screws, attach the 7/8" Cable Clips to the worksurface to secure the coiled Cables' positions.
- Slip the 5/16" Cable Clips over the uncoiled Cables at preferred placement and secure with the 1/2" Wood Screws into the pilot holes.
- Plug the Motor Cable into the Column Cable.

7

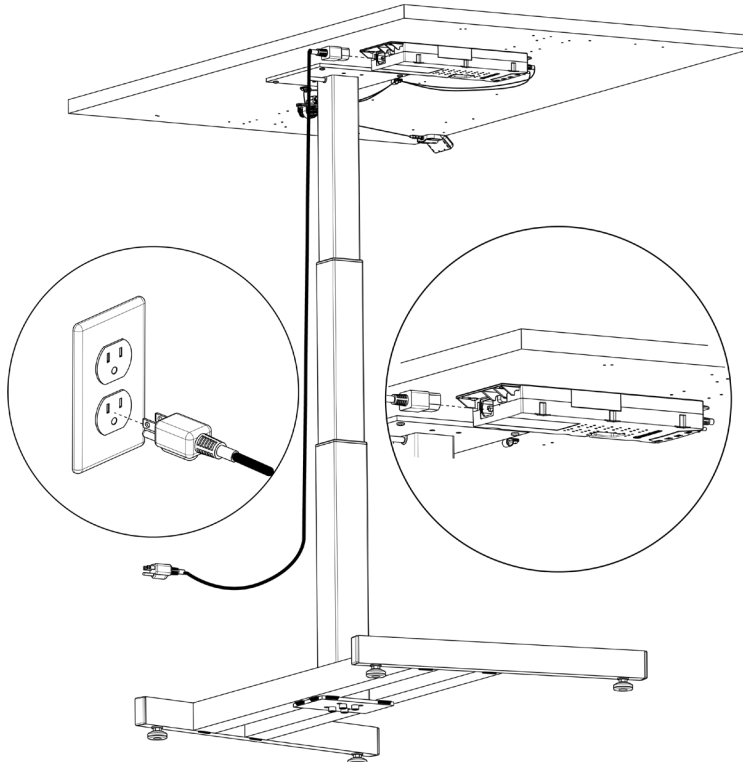


Glides (4)

1/2" Wrench

- Twist in the Glides into the holes on the bottom of the base.
- If not secure enough, tighten with Wrench.

8

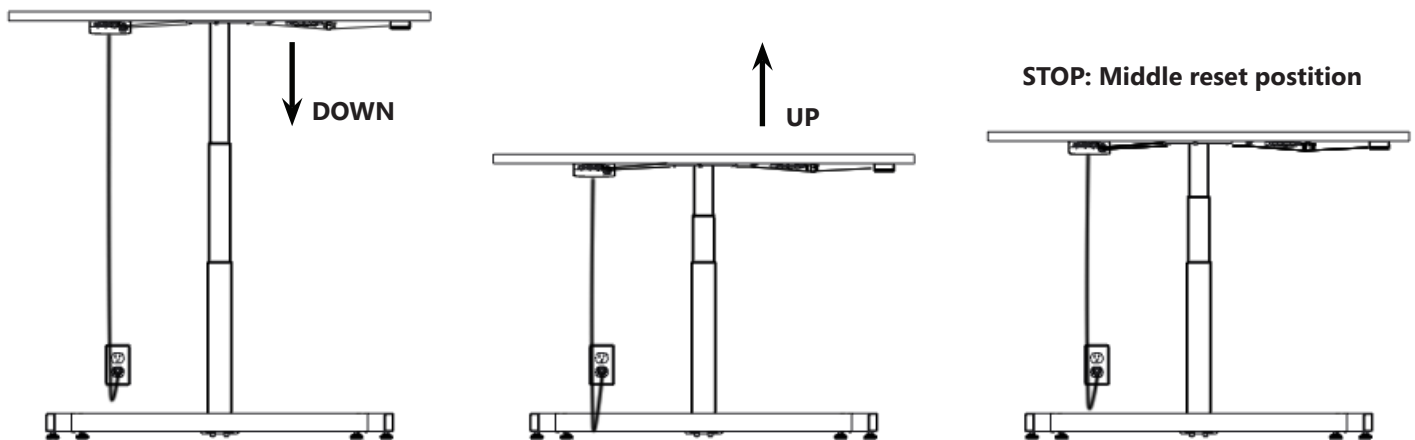


- Carefully flip the table upright.
- Plug the Power Cord into the Control Box
- After it is plugged into the Control Box, plug Power Cord into a wall outlet.

⚠ ATTENTION: After this step the table **MUST** be reset. See instructions on next page.

RESET INSTRUCTIONS: The Ändern Motor must be reset before use.

1. Press the desktop DOWN and the desktop UP buttons simultaneously on the handset.
2. Keep the buttons pressed until the desktop reaches the MIDDLE reset position and has come to a complete stop.
3. Release the button(s). The Ändern Motor desk is now fully functional!



Handset

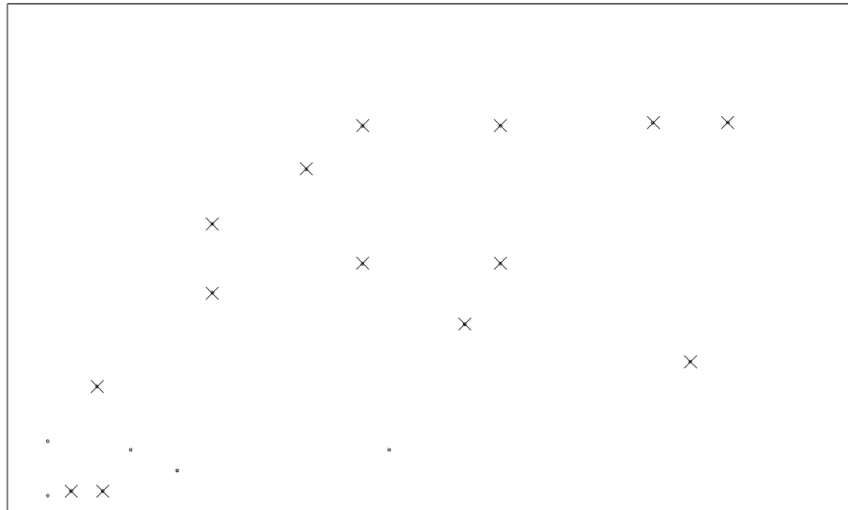


See installation video for example of the reset. Go to TheStandingDesk.com/install or scan QR code.



REFERENCE

24" x 40" Work surface pilot hole diagram.



29" x 47" Work surface pilot hole diagram.

