

The Recken

Height Adjustable Standing Desk



KESSEBOHMER
ERGONOMICS OF AMERICA

Support

Kessebohmer Ergonomie of America

2851 Buchanan Ave SW Ste A,
Grand Rapids, MI 49548

Phone: (616) 202-1239

Email: csr@kesseboehmer.com

Copyright

© Copyright Kessebohmer Ergonomie of America 2023

All pictures, graphics and texts is subject to copyright protection. Reproduction or use of such graphics, photos and text in other electronic or printed publications, for example, is not permitted without the express consent of Kessebohmer Ergonomie.



CAUTION

These safety warnings are important and must be complied with!

The inappropriate operation of the system can put people and property at risk!

The manufacturer cannot be held responsible for any losses or damage resulting from unauthorized modifications of the Recken. The power supply is to be used exclusively for Kessebohmer guide columns. Store the Assembly and Operation Instructions close to the device.

This desk should not be used by children or persons with reduced physical, sensory or mental capabilities or lack of experience and knowledge unless they are supervised or provided instruction concerning use of the desk in a safe way and understand the hazards involved

Children shall not play with the desk. Cleaning and user maintenance shall not be made by children without supervision. Do not leave children nattended with the table support. Children cannot estimate the danger of the force that the table support has.

To avoid any danger of jamming or crushing it is necessary to keep a minimum distance of 1 inch (25mm) from the moving parts.

The assembly site should be dry, dust-free and without direct sunlight. Make sure that no liquid enters the column unit or power supply as this could cause electrical shock or short circuit.

The duty cycle of the system is set to 2 minutes "ON" and 18 minutes "OFF" or 1 minute "ON" and 9 minutes "OFF"

Power cables must not be pinched, bent, stretched or mechanically stressed.

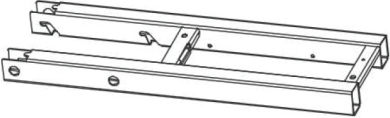
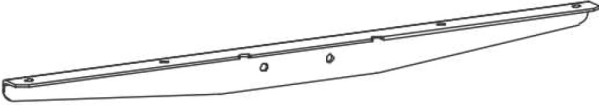
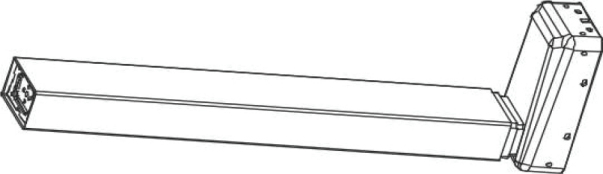

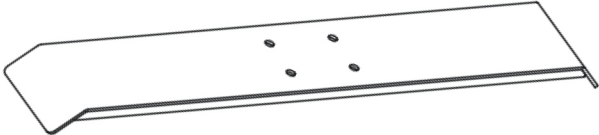
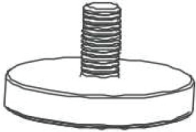
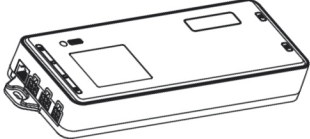
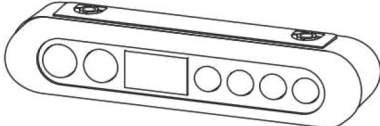


The socket for connection with the main power source must be installed by a licensed electrician in order to avoid any hazard to persons or objects

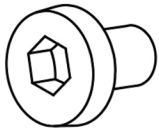
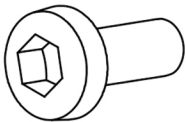
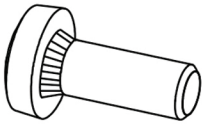
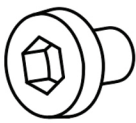
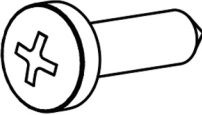
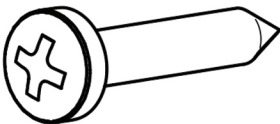


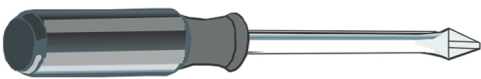
Load limits must not exceed **250lbs**.

Never open the housing of the power supply.

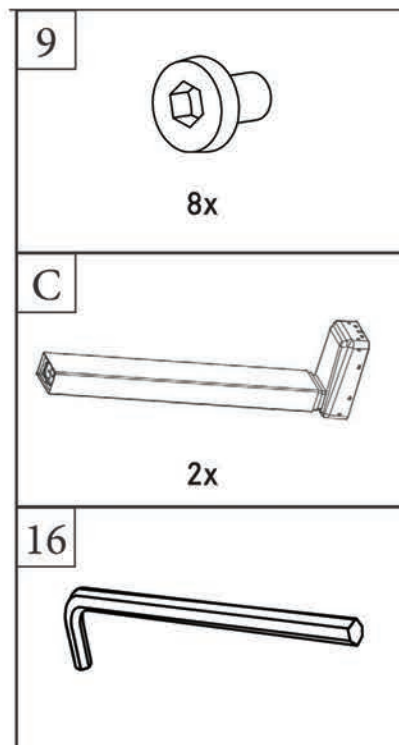
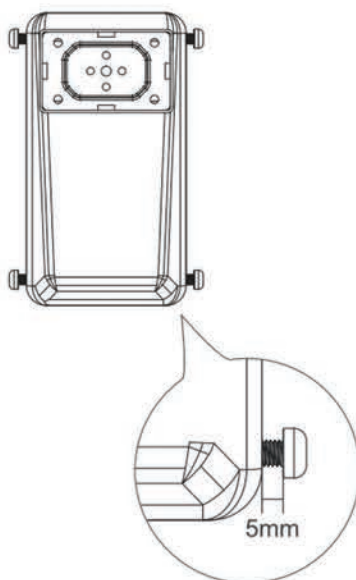
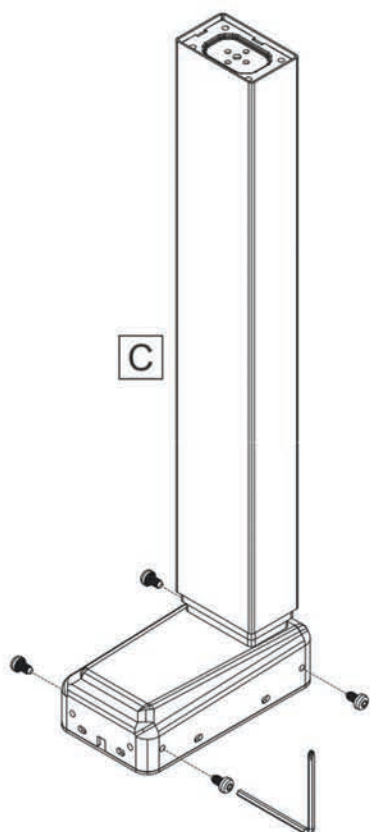
Danger to the user can arise and the warranty will be voided as a result of unauthorized opening of the housing and improper repairs. Only the manufacturer's service technicians are authorized to open or repair the electrical equipment.

In the event of a malfunction (for example smoke, odors, unusual noises, or visible external damage) switch off the system. Disconnect at the main power source.

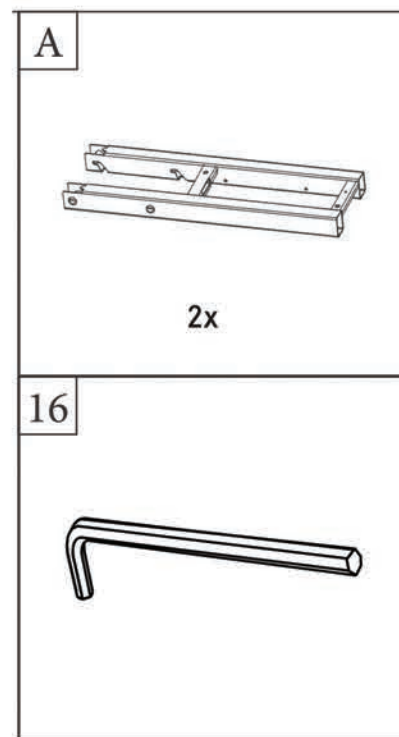
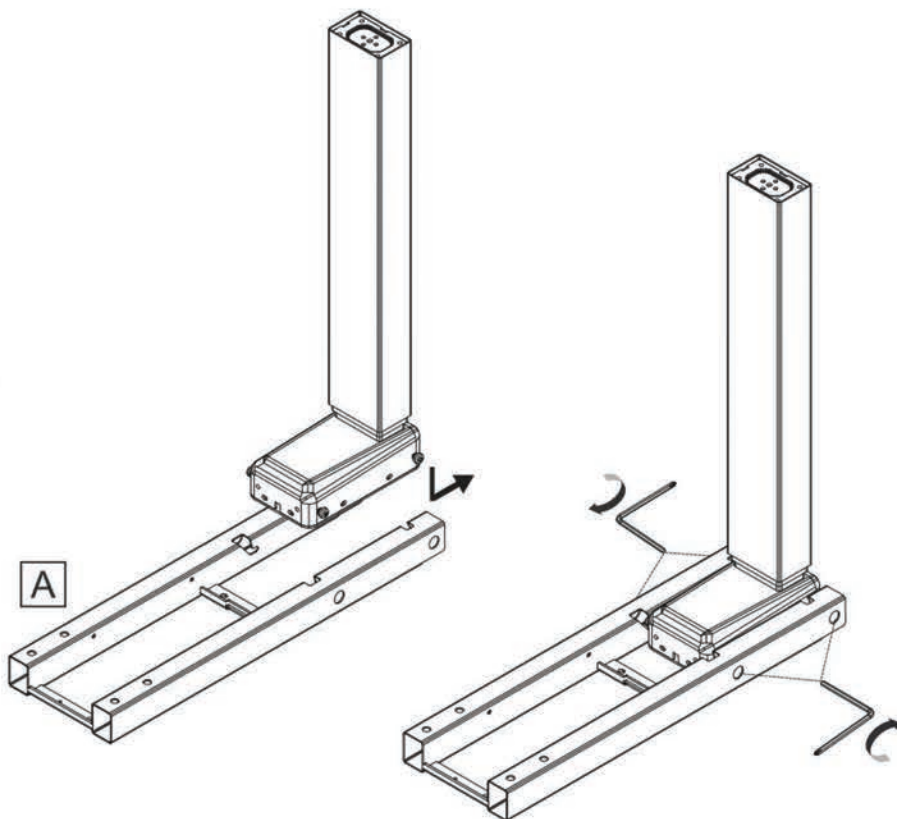
Components	Count
	A: Mounting bracket - 2 pcs.
	B: Top Support - 2 pcs.
	C: Lifting Column - 2 pcs.
	D: Crossbar Rail - 2 pcs.
	E: Feet - 2 pcs.
	F: Glides - 4 pcs.
	G: Control Box - 1 pcs.
	H: Handset - 1 pcs.
	I: Power Cable - 1 pcs.
	J: Control Box Cable - 2 pcs.

Components	Count
	#9: M6 x 12 - 12 pcs.
	#10: M6 x 16 - 8 pcs.
	#11: M6 x 25 - 8 pcs.
	#12: M4 x 6 - 1 pcs.
	#13: ST5 x 17.5 - 12 pcs.
	#14: ST4.5 x 19 - 2 pcs.
	#15: 3M Cable Clip - 6 pcs.
	#16: Allen Key - 1 pcs.
	Phillips Head Screwdriver (not included)

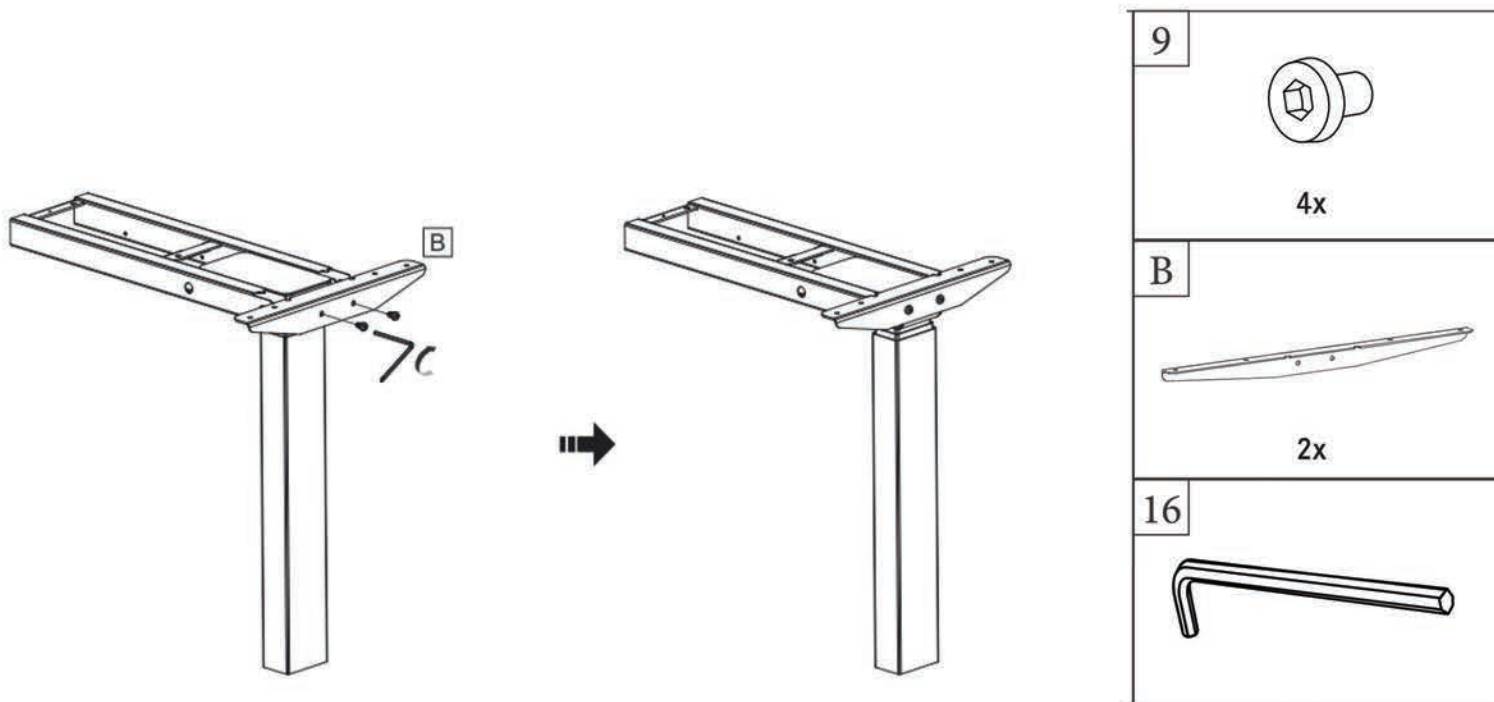
Step 1: Use the hex-wrench (16) to secure columns C with 4 bolts per column. Please leave 1/4" (5 mm) distance between column and hex socket head. Repeat on the second column.



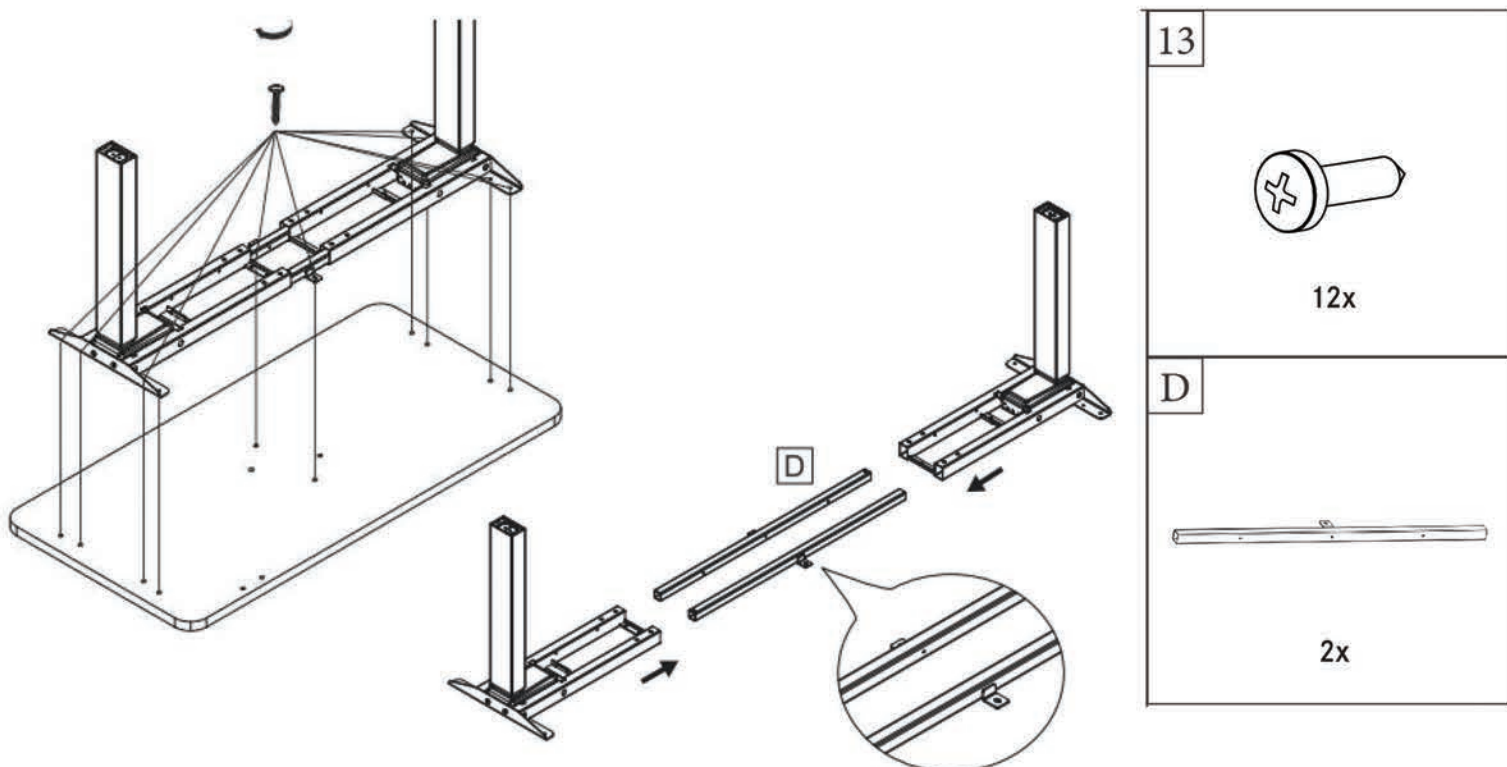
Step 2: Put the pre-installed columns into the reserved position of Mounting Bracket A, and pull it back in the direction of the arrow. Then use the hex-wrench to lock the pre-installed bolts in a clockwise direction shown in the figure.



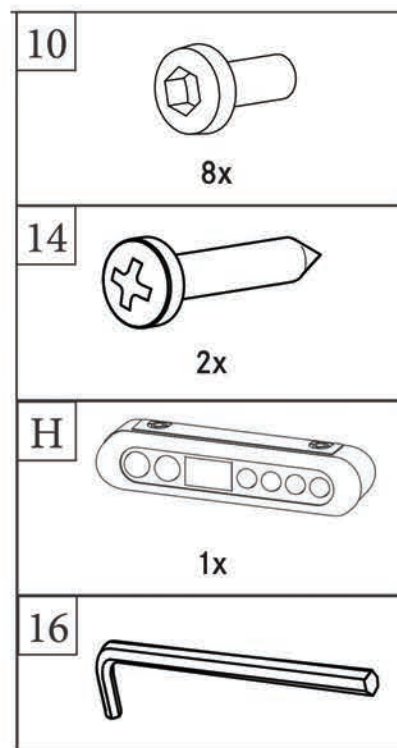
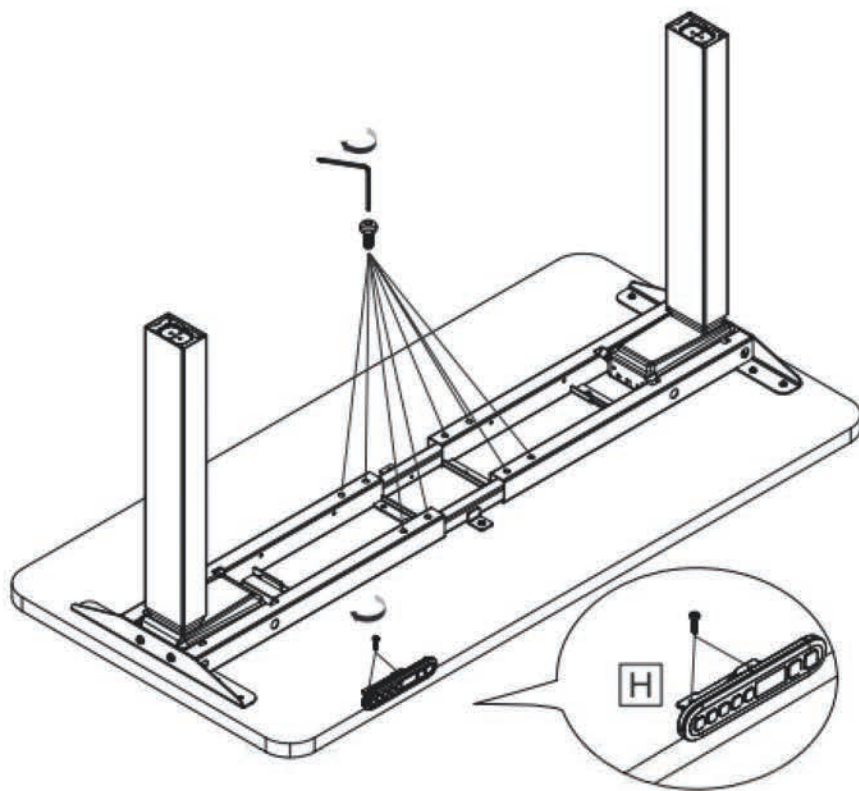
Step 3: Put the Side Bracket B into the reserved position shown in the figure, and use the hex-wrench to screw in 4 bolts (9) into the position shown in the figure, and tighten the bolts in a clockwise direction.



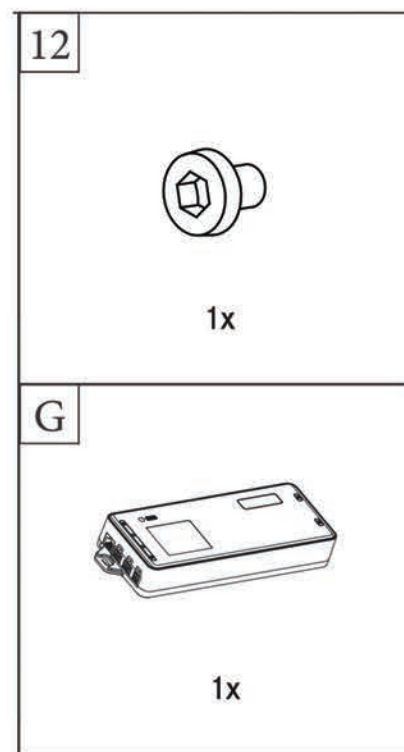
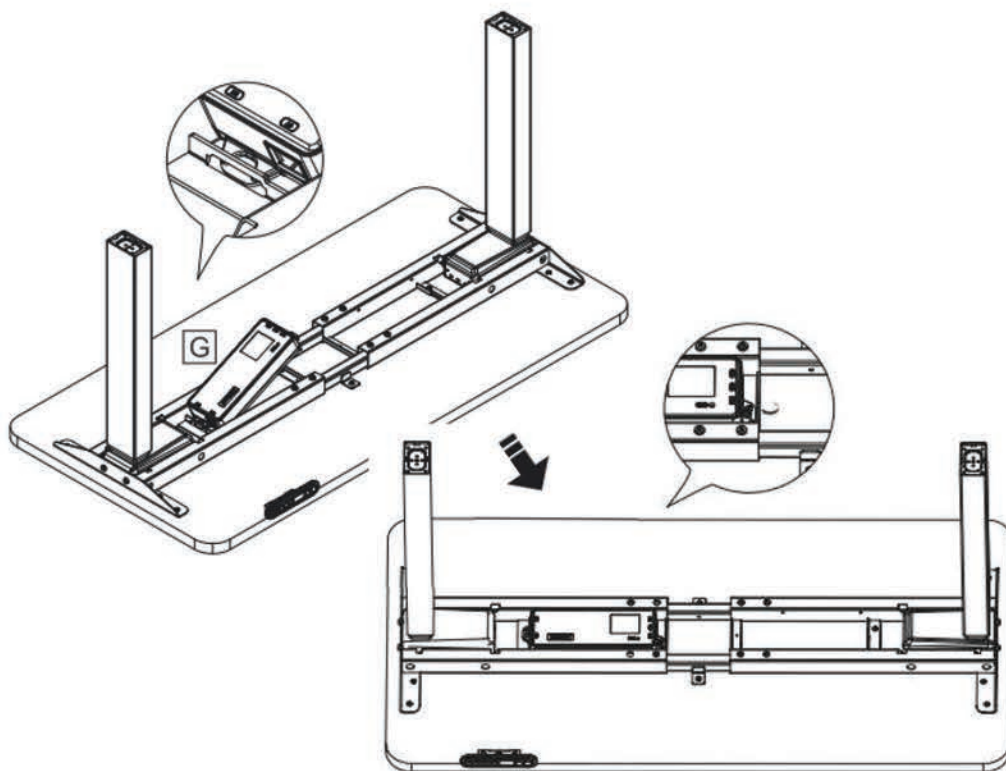
Step 4: Install the desk frame to the desktop (The desktop below is for demonstration only, please adjust the frame length according to your desktop dimension), insert both of Crossbar Rail D into the Mounting Bracket holes, adjust the length to suit the desktop dimension, then use 12 screws (13) to fasten the Side Bracket and Crossbar Rail to the desktop.



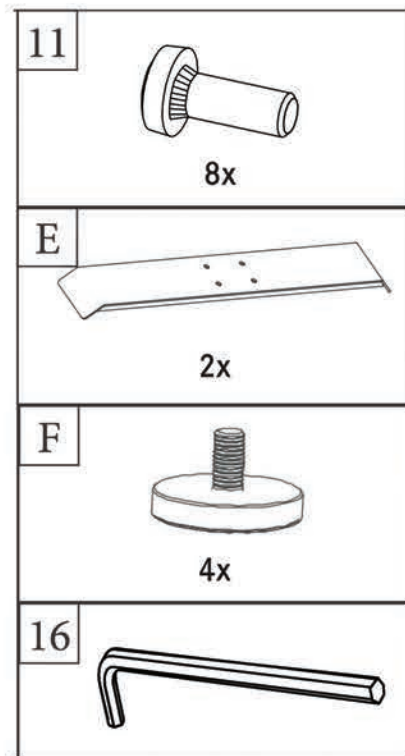
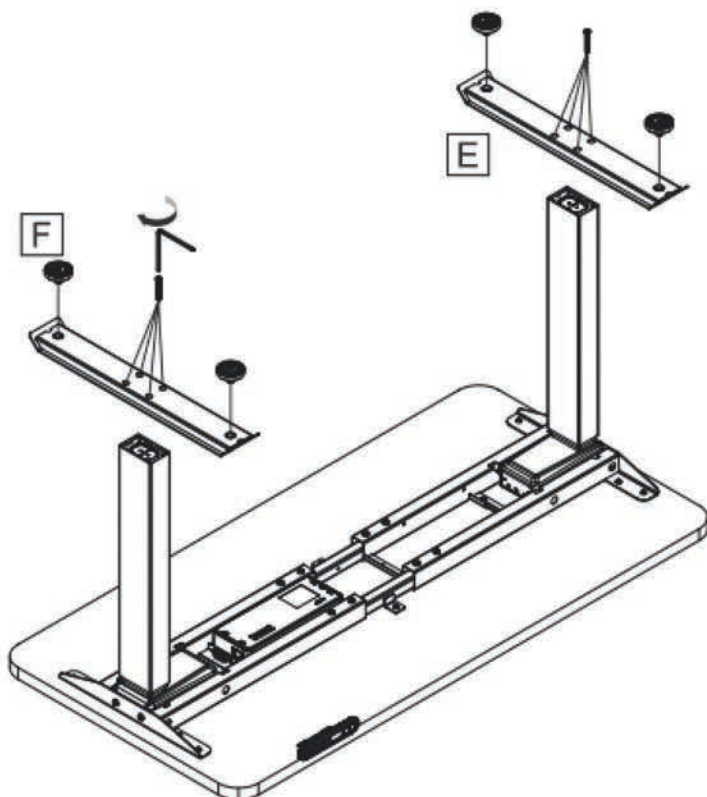
Step 5: Use the hex-wrench to fasten 8 screws (10) on Mounting Bracket. Then fasten 2 pcs of screws (14) to the handset (H) in a proper position on the desktop. (Reference page 9)



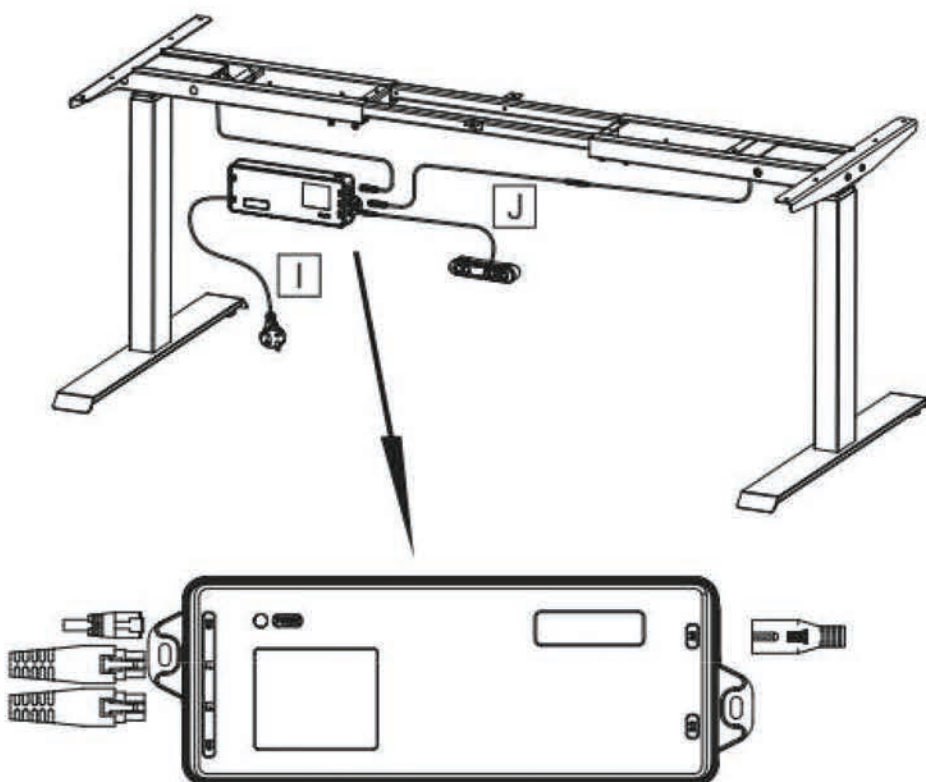
Step 6: Put the control box (G) into the reserved position of the Mounting Bracket, use 1 bolt (12) to fasten down the control box.



Step 7: Use the hex-wrench to fasten & tighten 8 pcs of bolts (11) into the feet (F). Screw in leveling Glides (E) clockwise into the feet.



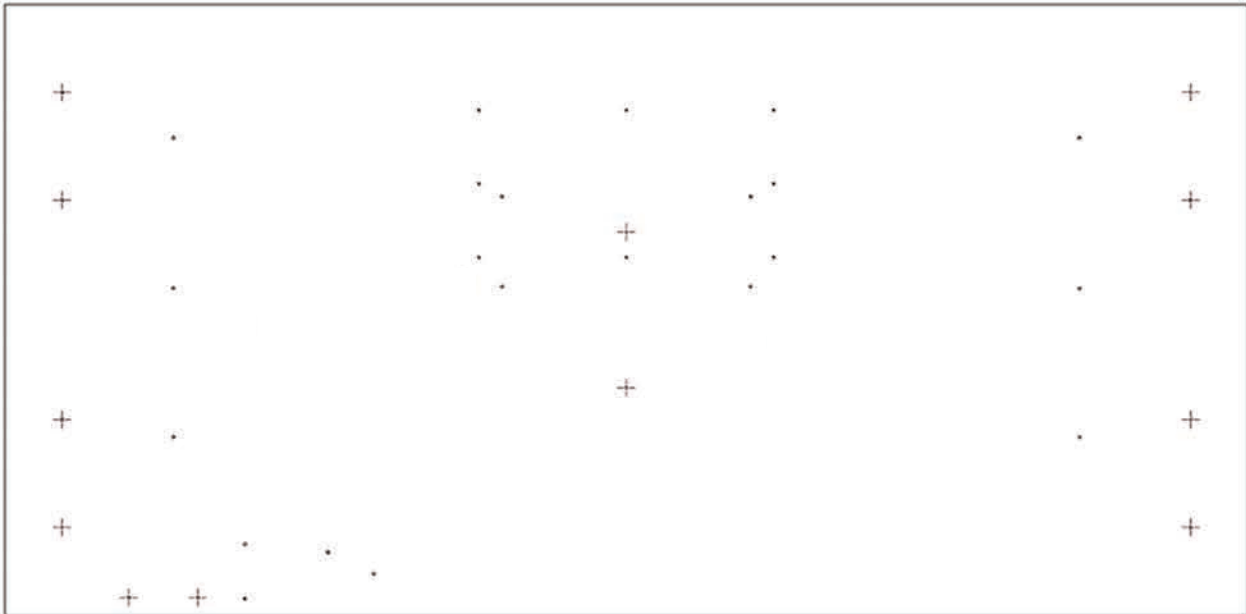
Step 8: Connect all the cables according to the figure. Before you use this electric height adjustable desk, please turn on the power and reset once (Please refer to page 10 for the handset manual).



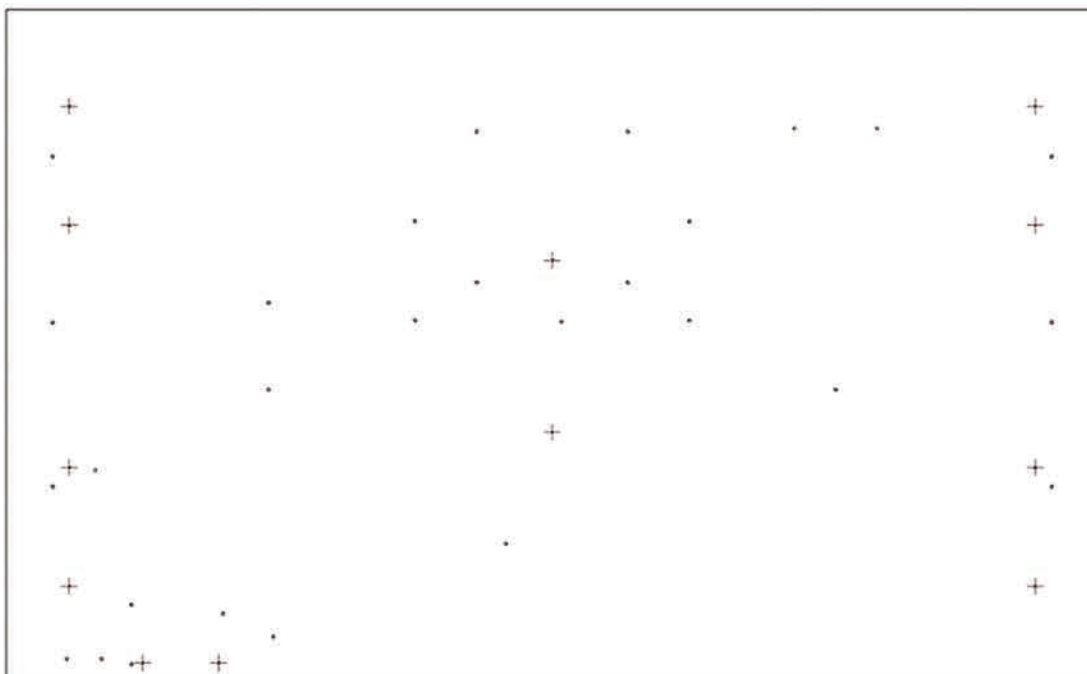
Worksurface Mounting Hole Reference

Use the mounting holes referenced (+) in the diagrams below for your specific work surface size. The extra holes are for other desk bases we sell.

60" work surface mount hole diagram



48" work surface mount hole diagram



Handset



Reset System Before Use:

Press button 1 and 2 (+ & -) together for around 3 seconds, both columns will move to the lowest position, This first move speed will be about be 40% of normal working speed. At this point the LED will show " SET ' or an Error code. When you hear the beep sound, both columns will move to bottom position, then both columns move up to the limit position with 40% speed. The reset process is finished. The LED should show normal digits.

Button Functions:

Press button 1 (+) to move the desk up, release the button to stop moving. The LED will shows the actual desk height. The LED will go into standby mode after 10 seconds without use.

Press button 2 (-) to move the desk down, release the button to stop moving. The LED will show the actual desk height. The LED will go into standby mode after 10 seconds without use.

Set Memory Positions:

Once you have found a height that works for you, press the memory lock button (6) along with one of buttons labeled 1,2,3 to lock in the current position to the corresponding button number.

Buttons labeled on the handset 1, 2, 3, can each have their own saved height.

You can lock the handset by pressing the button with the lock label (6) for around 3 seconds. The LED will show the handset is now locked. Hold the button again for 3 seconds to unlock.

Switching from cm and inches:

To change from cm to inches simply hold buttons that have the labels on the handset 2&3 for 3 seconds. A21 = cm. A22 = inches.

Setting the Anti-Collision Intensity:

To change intensity, hold the + button along with the first number button (1) for 3 seconds. The LED will change from A01 (lowest setting) up to A03 (highest setting).

Error Codes:

Er1 : Protection from columns becoming out of height sync. Reset the desk to fix.

Er2 : Over operation. Let the system rest for 20 mins before adjusting again.

Er3 : Power loss. Turn power back on and reset desk to solve.